



- Unit 9A ■ Aire Place Mills
- 143 Kirkstall Road ■ Leeds LS3 1JL
- **Telephone** 0113 245 4111
- **Facsimile** 0113 246 9964
- **Email** hfhmail@yahoo.co.uk

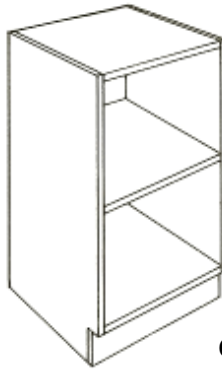
LABORATORY FURNITURE DATA SUMMARY SHEETS

Version 05.00

C01

Single open shelf unit

Supplied with one adjustable shelf.
500mm wide x 500mm deep x 830mm high overall.



C01



C09

C09

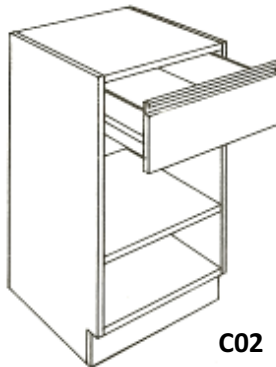
Double open shelf unit

Supplied with one adjustable shelf.
1000mm wide x 500mm deep x 830mm high overall.

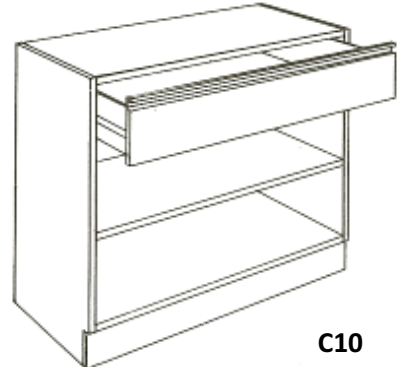
C02

Single open shelf/drawer unit

Supplied with one adjustable shelf and single drawer over.
500mm wide x 500mm deep x 830mm high overall.



C02



C10

C10

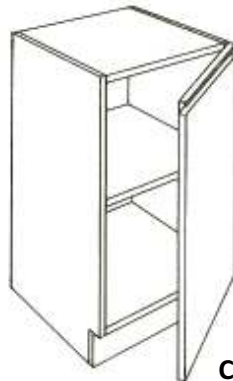
Double open shelf/drawer unit

Supplied with one adjustable shelf and single drawer over.
1000mm wide x 500mm deep x 830mm high overall.

C03

Single cupboard unit

Supplied with one adjustable shelf.
500mm wide x 500mm deep x 830mm high overall.



C03



C11

C11

Double cupboard unit

Supplied with one adjustable shelf.
1000mm wide x 500mm deep x 830mm high overall.

C04

Single cupboard/drawer unit

Supplied with one adjustable shelf and single drawer over.
500mm wide x 500mm deep x 830mm high overall.



C04



C12

C12

Double cupboard/drawer unit

Supplied with one adjustable shelf and single drawer over.
1000mm wide x 500mm deep x 830mm high overall.

HOLLIDAY FIELDING HOCKING LIMITED

Unit 9A Aire Place Mills • 103-143 Kirkstall Road • Leeds • LS3 1LJ

Telephone: +44 (0)113 2454111 • Fax: +44 (0)113 2469964

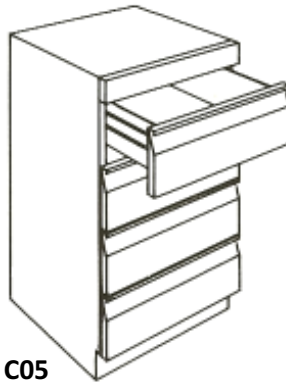
Registered in England No. 06347050

C05

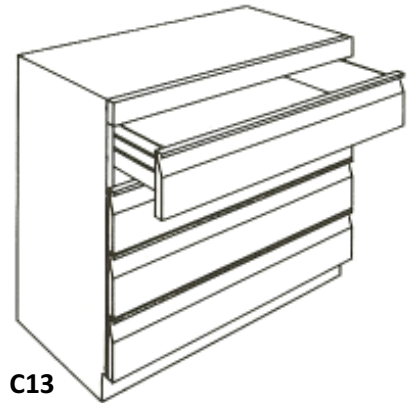
Single drawer unit

Supplied with 4 equal depth drawers. 3 & 5 drawer options available.

500mm wide x 500mm deep x 830mm high overall.



C05



C13

C13

Double drawer unit

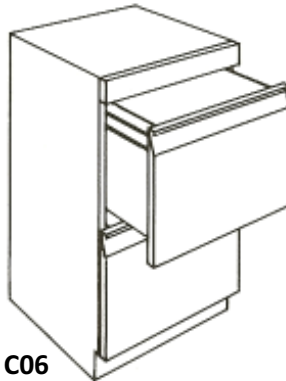
Supplied with 4 full width equal depth drawers. 3 & 5 drawer options available.

1000mm wide x 500mm deep x 830mm high overall.

C06

Single file drawer unit

Supplied with two equal depth file drawers. 500mm wide x 500mm deep x 830mm high overall.



C06



P14

P14

Sink cupboard unit

Supplied with one adjustable shelf.

P14-S Single 500mm wide x 500mm deep x 830mm high overall

P14-D Double 1000mm wide x 500mm deep x 830mm high overall

P14-T Triple 1500mm wide x 500mm deep x 830mm high overall

STANDARD SPECIFICATION:

FURNITURE CARCASSES: Units will comprise top, bottom and side panels from 18mm thick MF MFD. Rigid construction employing cam and metal bolt assembly supported by glued dowels. A heavy duty PVC edge is applied to all exposed edges.

DRAWER BOXES: Will be BLUM 'meta-box' type with white powder coated metal sides, screw fixed 15mm white MFC bottom and self closing nylon roller runners. Maximum static load capacity of 50kg, dynamic load is 25kg.

DOOR & DRAWER FRONTS: Will be 18mm thick MDF laminated to face with 0.9mm laminate from approved range. White balancing laminate to reverse. Heavy duty PVC edged from approved colour range.

CUPBOARD SHELVES: Cupboard units will be fitted with a removable and adjustable intermediate shelf and be from 18mm thick MF MDF, heavy duty PVC edged. Maximum load capacity per shelf is 35kg.

OPTIONS:

LOCKS: Various cupboard and drawer lock options are available.

MOBILE UNITS: Will be supplied with 4 heavy duty 100mm dia swivel castors. Metal bearing raced with rubber tyres. Front two castors will be lockable.

SUSPENDED UNITS: All storage units detailed above are available as suspended type and employ the same methods of manufacture and construction.

FIXED PEDESTAL UNITS: All storage units detailed above are available as fixed pedestal type mounted on a boxed plinth detail.

CODE PREFIX:

C - Cantilever/Freestanding
P - Fixed pedestal/Plinth mounted
M - Mobile on castors
S - Suspended

CODE SUFFIX:

L - Lockable
***** - Special

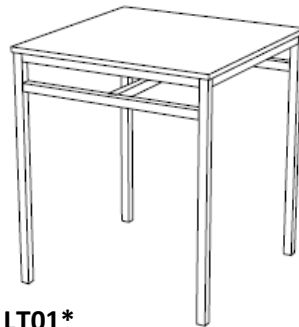
HOLLIDAY FIELDING HOCKING LIMITED

Unit 9A Aire Place Mills • 103-143 Kirkstall Road • Leeds • LS3 1LJ
 Telephone: +44 (0)113 2454111 • Fax: +44 (0)113 2469964
 Registered in England No. 06347050

LT01*

Single standard table

Heavy duty freestanding single table, manufactured in any modular size small than 1000mm wide. Various worktop options.



LT01*

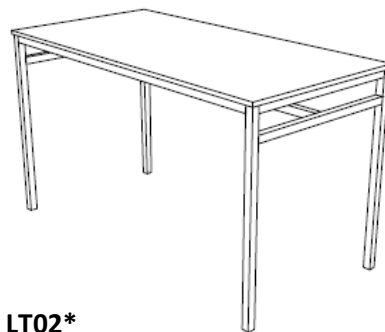


LT10*

LT02*

Double standard table

Heavy duty freestanding double table, manufactured in any modular size small than 1000mm wide. Various worktop options.



LT02*

LT03*

Table with lower shelf

Heavy duty freestanding table, manufactured in any modular size. Available with single or double shelf storage under. Various worktop options.

LT04*

Table with lower drawer storage

Heavy duty freestanding table, manufactured in any modular size. Available with drawer and shelf storage under. Various worktop options.



LT03*

LT10*

Sloping table

Heavy duty freestanding sloping topped table, manufactured in any modular size. Various worktop options.



LT04*

SPECIFICATION:

Welded mild steel or stainless steel frames with individual heavy duty leg adjusters or lockable swivel castors.

* **CODE SUFFIX:** (Worktop options)

- L - Laminated top
- T - Trespa solid grade top
- E - Cast epoxy resin top
- S - Stainless steel top
- W - Solid timber top
- G - Glass top
- C - Corian solid surface top

HOLLIDAY FIELDING HOCKING LIMITED

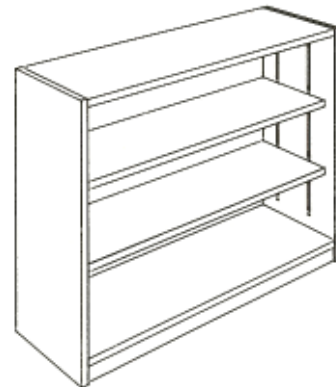
Unit 9A Aire Place Mills • 103-143 Kirkstall Road • Leeds • LS3 1LJ
 Telephone: +44 (0)113 2454111 • Fax: +44 (0)113 2469964
 Registered in England No. 06347050

W01**Wall open shelf unit**

Supplied with two adjustable shelves.

W01-S Single 500mm wide x 300mm deep x 730mm high overall

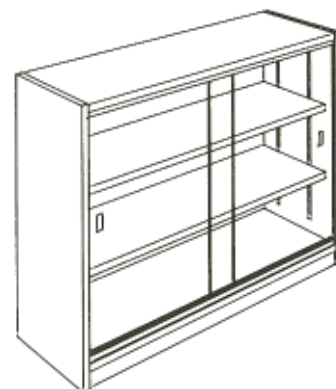
W01-D Double 1000mm wide x 300mm deep x 730mm high overall

**W02****Glazed wall unit**

Supplied with two adjustable shelves and available with sliding toughened safety glass panels or hinged safety glass doors.

W02-S Single 500mm wide x 300mm deep x 730mm high overall

W02-D Double 1000mm wide x 300mm deep x 730mm high overall

**W03****Wall cupboard unit**

Supplied with two adjustable shelves and laminated hinged doors.

W03-S Single 500mm wide x 300mm deep x 730mm high overall

W03-D Double 1000mm wide x 300mm deep x 730mm high overall

**W04****Modular wall shelves**

Supplied with solid grade Trespa, laminated MDF or melamine faced MDF shelves and supported on adjustable uprights and support brackets.

Typically 1000mm x 300mm deep x multiple tiers

**HOLLIDAY FIELDING HOCKING LIMITED**

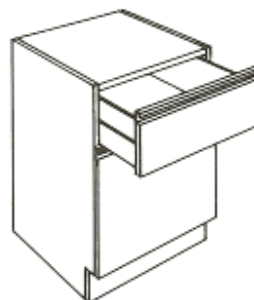
Unit 9A Aire Place Mills • 103-143 Kirkstall Road • Leeds • LS3 1LJ

Telephone: +44 (0)113 2454111 • Fax: +44 (0)113 2469964

Registered in England No. 06347050

C17**Low level desk unit**

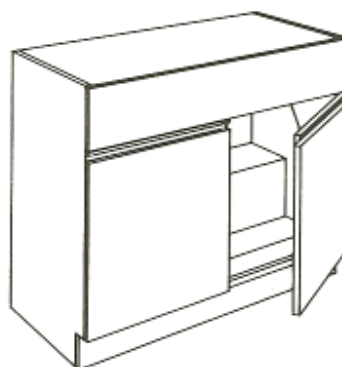
500mm wide x 500mm deep x 630mm high overall. Supplied with deep file drawer below and personal drawer over.

**OA****Acid storage unit**

Supplied with full PVC interior liner and stepped drip tray. Vented option available.

OA-S Single 500mm wide x 500mm deep x 830mm high overall.

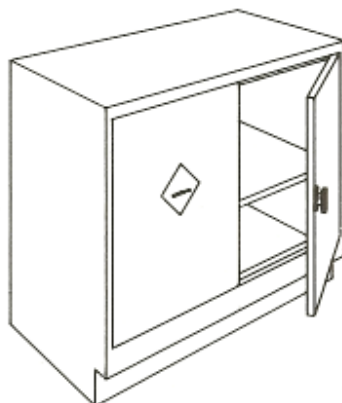
OA-D Double 1000mm wide x 500mm deep x 830mm high overall.

**OS****Solvent storage unit**

All metal construction and epoxy powder coated. Supplied unvented.

OS-S Single 500mm wide x 500mm deep x 830mm high overall.

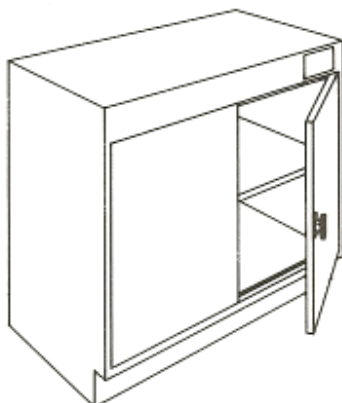
OS-D Double 1000mm wide x 500mm deep x 830mm high overall.

**OD****Drying cupboard**

All metal construction and epoxy powder coated. 2kW 240v heating elements, integral thermostatically controlled.

OD-S Single 500mm wide x 500mm deep x 830mm high overall.

OD-D Double 1000mm wide x 500mm deep x 830mm high overall.



HOLLIDAY FIELDING HOCKING LIMITED

Unit 9A Aire Place Mills • 103-143 Kirkstall Road • Leeds • LS3 1LJ

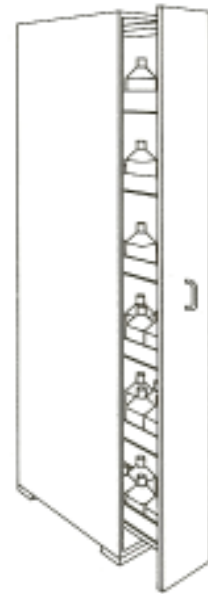
Telephone: +44 (0)113 2454111 • Fax: +44 (0)113 2469964

Registered in England No. 06347050

VS**Vertical high density storage unit**

The unit is provided with 6No. Storage trays secured to a front pull out closure panel. Pull out supporting mechanism to a heavy duty plated metal roller bearing.

Manufactured in modular size 250mm wide x 600mm deep x 2100mm high.

**BC****Cleaning storage unit**

The unit is provided with 1No. Fixed middle shelf and 5No. Adjustable shelves. All enclosed by a single full height hinged door. Optional vision panels are available in the door.

Manufactured in modular size 500mm wide x 600mm deep x 2100mm high.

**CC****Coat storage unit**

The unit is provided with 1No. Fixed high level shelf and full width hanging rail. All enclosed by a single full height hinged door. Optional vision panels are available in the door.

Manufactured in modular size 500mm wide x 600mm deep x 2100mm high.



All tall storage units can be provided in modules for securing together to form composite banked units.

HOLLIDAY FIELDING HOCKING LIMITED

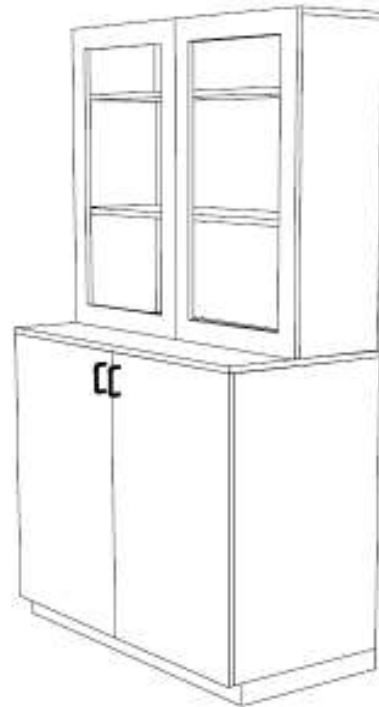
Unit 9A Aire Place Mills • 103-143 Kirkstall Road • Leeds • LS3 1LJ

Telephone: +44 (0)113 2454111 • Fax: +44 (0)113 2469964

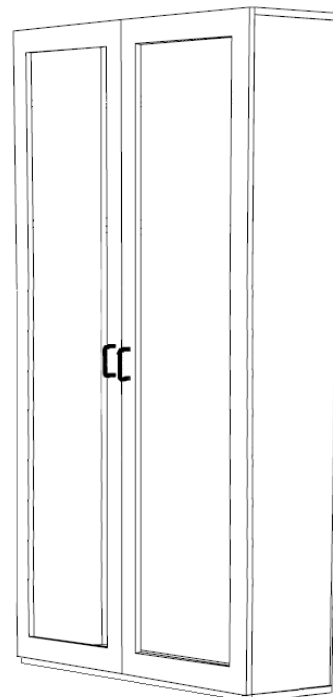
Registered in England No. 06347050

TS1**Tall storage unit—split**

2100mm high unit provided with deep double cupboard below and 300mm deep glazed door storage cupboard over. Single and double wide options available.

**TS2****Tall storage unit—glazed**

2100mm high unit provided with glazed double doors. Multiple adjustable shelf options available from various materials including laminated MDF, powder coated mild steel or Trespa solid grade. Single and double wide options available.



All tall storage units can be provided in modules for securing together including back to back to form composite banked units.

HOLLIDAY FIELDING HOCKING LIMITED

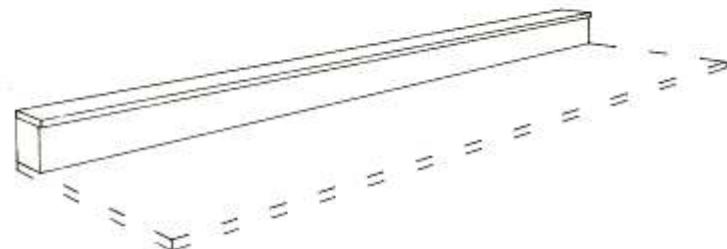
Unit 9A Aire Place Mills • 103-143 Kirkstall Road • Leeds • LS3 1LJ
Telephone: +44 (0)113 2454111 • Fax: +44 (0)113 2469964
Registered in England No. 06347050

RS**Reagent shelf**

Supplied with solid grade Trespa shelf and supported on 25x25 powder coated mild steel or 316 grade stainless steel frame. Typically 300mm x 300mm deep x maximum 2400mm modular length.

**RD****Reagent duct**

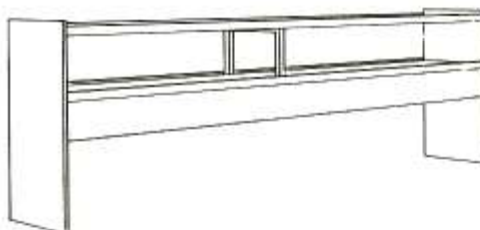
Bench mounted service duct/spine 150mm x 180mm high. Manufactured from solid grade Trespa or laminated MDF. Electrical and plumbed services may be fitted to the face. Water swannecks and drip cups may be incorporated into the top.

**RB****Reagent box**

Over bench service duct/spine. Manufactured from solid grade Trespa or laminated MDF. Electrical and plumbed services may be fitted to the face. Pendant type service outlets may be fitted to the underside.

**RBS****Reagent box and shelf**

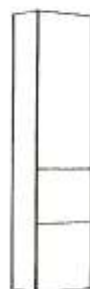
Combined over bench service duct/spine with single or multiple shelves. Manufactured from solid grade Trespa or laminated MDF. Intermediate shelf support fitted above 2000mm length.

**RT****Short turret box**

Services mounted in side faces if required. Enables services to rise into reagent boxes from below. Manufactured from solid grade Trespa or laminated MDF.

**RDB****Dropper box**

Enable services to fall from high level into service void in lab bench with panel for access to service isolation valves. Manufactured from solid grade Trespa, laminated MDF or powder coated mild steel.

**HOLLIDAY FIELDING HOCKING LIMITED**

Unit 9A Aire Place Mills • 103-143 Kirkstall Road • Leeds • LS3 1LJ
Telephone: +44 (0)113 2454111 • Fax: +44 (0)113 2469964
Registered in England No. 06347050

D1**Sink splashback**

Manufactured from solid grade Trespa and available with white polypropylene pegs to form drying rack.

Also available in toughened safety glass.

**D2****Double safety screen**

Supplied with 6mm toughened safety glass or polycarbonate screens supported by stylish posts. Available in various heights.

**D3****Single safety screen**

Supplied with 6mm toughened safety glass or polycarbonate screen supported by stylish posts. Available in various heights.

**D4****Reagent safety screens**

A set of 6mm toughened safety glass or polycarbonate screens act as safety dividers between double sided working areas. Screens are removable.

**HOLLIDAY FIELDING HOCKING LIMITED**

Unit 9A Aire Place Mills • 103-143 Kirkstall Road • Leeds • LS3 1LJ

Telephone: +44 (0)113 2454111 • Fax: +44 (0)113 2469964

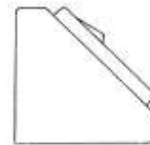
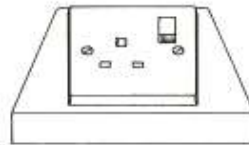
Registered in England No. 06347050

FACE

SIDE

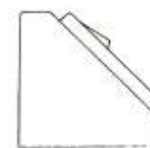
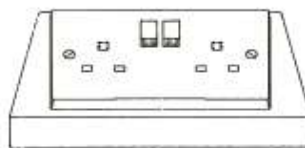
PED/SS1

One single gang switched socket outlet in single sided pedestal box.



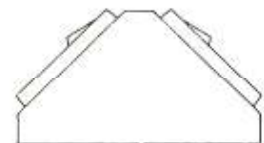
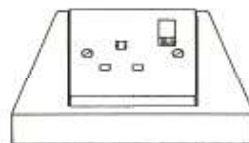
PED/SS2

One double gang switched socket outlet in single sided pedestal box.



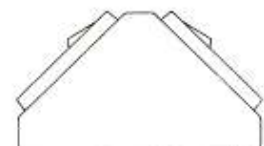
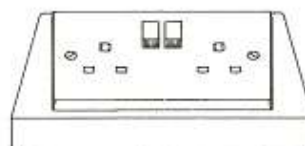
PED/DS2

Two single gang switched socket outlets in double sided pedestal box.



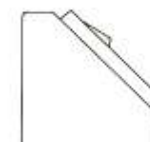
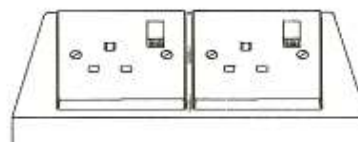
PED/DS4

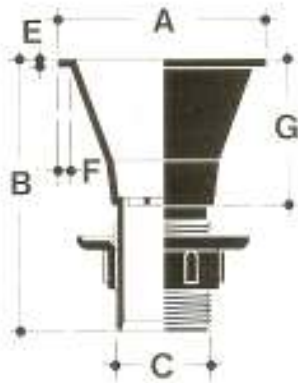
Two double gang switched socket outlets in double sided pedestal box.



PED/SS-2S

Two single gang switched socket outlets in single sided pedestal box. Useful for mixed electrical supplies or as combined power and data point.





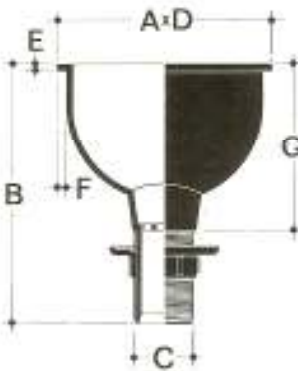
501
Small circular drip cup

A	102
B	136
C	1 1/2" BSP
E	6
F	6
G	75



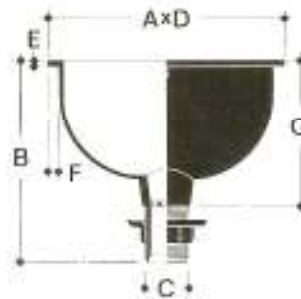
500
Large circular drip cup

A	188
B	185
C	1 1/2" BSP
E	6
F	11
G	114



497
Small oval drip cup

A	175
B	216
C	1 1/2" BSP
D	102
E	6
F	6
G	143



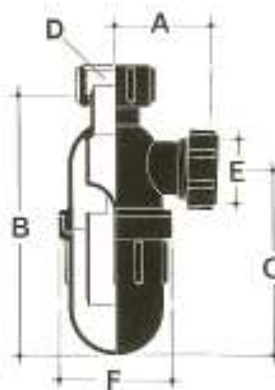
499B
Large oval drip cup

A	264
B	258
C	1 1/2" BSP
D	111
E	6
F	13
G	185



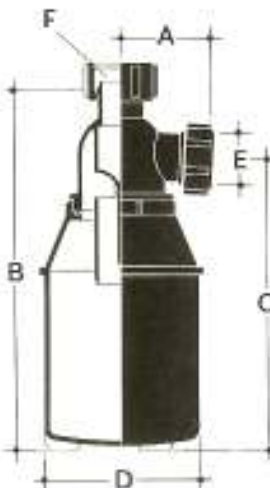
504
Waste outlet

A	63/75/82
B	82/102/102
C	1 1/2" BSP/1 1/2" BSP/2"
D	333



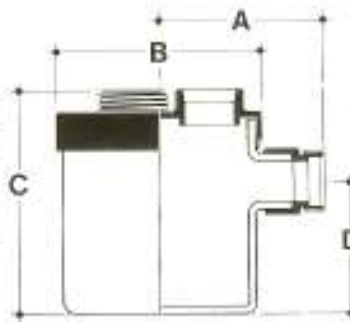
W561
Anti-siphon bottle trap

A	76
B	203
C	143
D	1 1/2" BSP
E	1 1/2" Mech. thrd
F	89



W681
Dilution recovery trap

A	76
B	314
C	254
D	133
E	1 1/2" Mech. thrd
F	1 1/2" BSP



910G
Dilution recovery trap

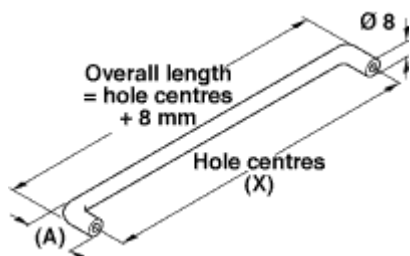
A	194
B	205
C	264
D	162

HOLLIDAY FIELDING HOCKING LIMITED

Unit 9A Aire Place Mills • 103-143 Kirkstall Road • Leeds • LS3 1LJ

Telephone: +44 (0)113 2454111 • Fax: +44 (0)113 2469964

Registered in England No. 06347050

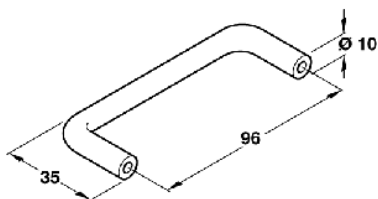


'D' PULL

Metal Unit Handles

8mm dia Matt chrome finish in four different sizes

106.44.401	64 mm hole centre, 30 mm stand off
106.44.402	96 mm hole centres, 30 mm stand off
106.44.403	128mm hole centres, 30 mm stand off
106.44.404	160 mm hole centres, 30 mm stand off

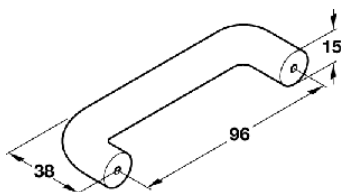


'D' PULL

Nylon Unit Handles

10mm dia Nylon in 5 different colours

114.20.550	96mm hole centres, Dark blue finish
114.20.533	96mm hole centres, Red finish
114.20.570	96mm hole centres, Dark green finish
114.20.513	96mm hole centres, Yellow finish
114.20.595	96mm hole centres, Grey finish



'D' PULL

Plastic Unit Handles

15mm dia Plastic in 6 different colours

116.77.919	96mm hole centres, Red finish
116.77.035	96mm hole centres, Dark green finish
116.77.106	96mm hole centres, Brown finish
116.77.302	96mm hole centres, Black finish
116.77.500	96mm hole centres, Light grey finish
116.77.811	96mm hole centres, Blue finish

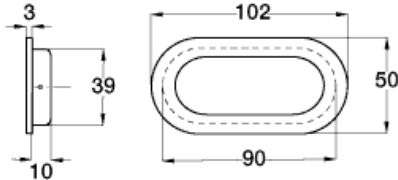
Other handle styles available including recessed and full-width finger grips

HOLLIDAY FIELDING HOCKING LIMITED

Unit 9A Aire Place Mills • 103-143 Kirkstall Road • Leeds • LS3 1LJ

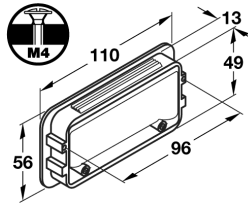
Telephone: +44 (0)113 2454111 • Fax: +44 (0)113 2469964

Registered in England No. 06347050



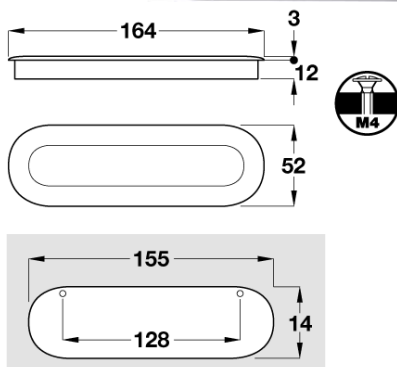
RECESSED HANDLE
Flush fit, 102 x 50 mm

152.51.002 Matt stainless steel finish



RECESSED HANDLE
Flush fit, 110 x 56 mm

151.50.616 Matt nickel finish



RECESSED HANDLE
Flush fit, 164 x 52 mm

152.24.600 Brushed nickel finish

Other handle styles available



LPA-TPA 100G

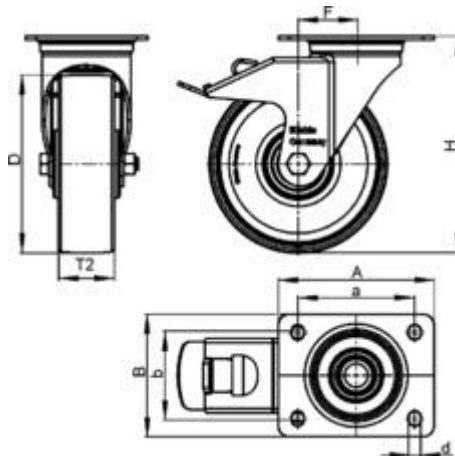
UNIT CASTORS

Light duty swivel and fixed castors

Other castor sizes and types available

BRACKET: Pressed steel with double ball bearing in the swivel head, bolted wheel axle, zinc-plated.

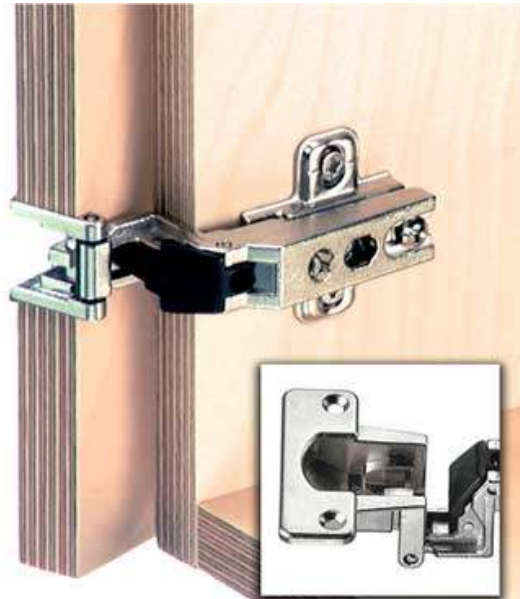
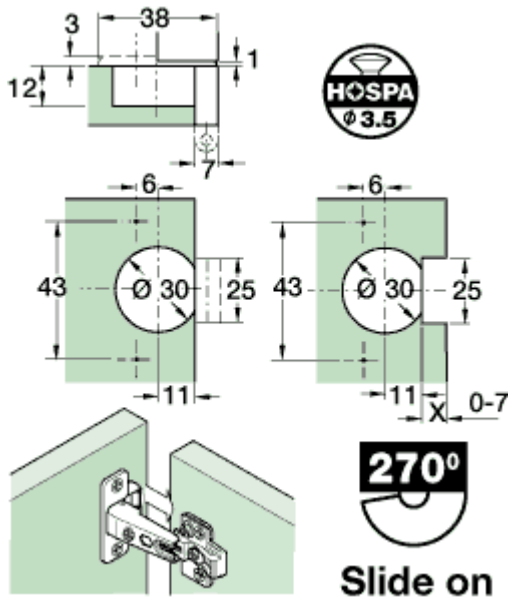
WHEELS: Tyre & Running Tread made of thermoplastic rubber, colour grey, non-marking.
Rim & Wheel Centre from Polypropylene, colour light grey.



TECHNICAL DATA:	Wheel diameter	100mm
	Wheel width	25mm
	Load capacity	70kg
	Total height	123mm(H)
	Plate size	60 x 60mm(A,B)
	Tyre hardness	85°Shore A

Other castor sizes and types available including antistatic

HOLLIDAY FIELDING HOCKING LIMITED
Unit 9A Aire Place Mills • 103-143 Kirkstall Road • Leeds • LS3 1LJ
Telephone: +44 (0)113 2454111 • Fax: +44 (0)113 2469964
Registered in England No. 06347050



DOOR HINGES

270° hinge with exposed axle

Other hinge types and opening angles available

- Opening angle 270°
- 0 mm crank
- With catch
- Ø 30 or Ø 35 mm cup
- Screw or dowel fixing cup
- Slide on arm
- Semi concealed, specially designed for fold back doors
- Nickel-plated zinc alloy cup and arm



DOOR & DRAWER LOCKS

Disk tumbler locks - 200 differs

Other hinge types and opening angles available

A range of economic disc tumbler locks widely used in many industries where product quality at a low cost is of greater consideration than high security.

The Series 9 range offers a well-finished disc tumbler lock of a high quality. The range has 200 different key combinations.

Other hinge and lock types available